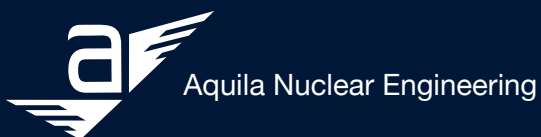


Calder Nuclear Engineering

Design | Manufacture | Assembly | Installation
of Equipment for the Nuclear Industry



Equipment for the Nuclear Industry



The Calder Group is a €189m pan-European engineering group with nine operating subsidiaries in five countries.

The Calder Group operates in 3 divisions:

- Calder Nuclear
- Calder Precision
- Calder Metals


Aquila Nuclear Engineering heads up the Calder Nuclear Division with offices and workshops in Winchester UK and Dusseldorf Germany.

Calder Nuclear operates in the following nuclear Markets:

- Decommissioning
- Existing Stations and Fleet Critical
- Research & Development
- Defence
- New Nuclear Build



Our Scope

The scope of Calder Nuclear is the full delivery process, from concept design through to Installation and commissioning, of systems that fall into one or all of the following categories of work. 

Taking a simplistic view of the project activities, Calder Nuclear would create a work breakdown structure based around the activities below. In many cases we would supply a turnkey project including all of these activities for a fixed price if the specification is well defined.

- Project and contract management
- Feasibility and concept design
- Mechanical Scheme design
- Electrical, Control & Instrumentation design
- Work breakdown structure
- Manufacturing drawings and Bill of Materials (BoM)
- Procurement
- Machining-turning & milling
- Fabrication and welding
- NDT
- Kitting and assembly
- Factory assembly and testing
- Load testing
- Leak testing
- Delivery
- Installation and commission
- After sales support
- Spares





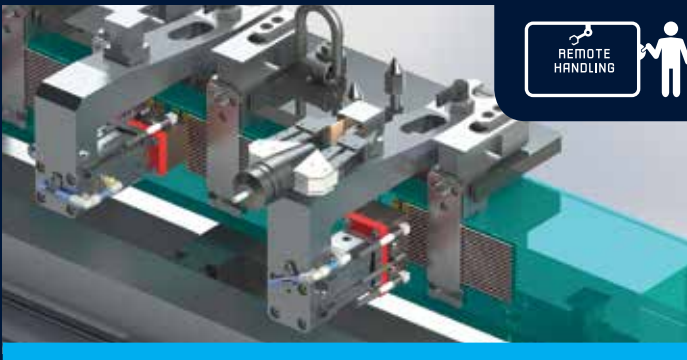
Containment

Containment and glovebox technology, including in box processes. Within this category, we provide design solutions for active ventilation for high integrity environments.



Shielded facilities

Shielded facilities in concrete-steel or lead, including internal containment and processes. Within this category we provide solutions for all penetrations including shield doors, transfer tunnels and services.



Remote handling

Remote handling systems and processes for use inside shielded and contained facilities. Within this category, we provide solutions for In Cell hoists, special In Cell remote machines and processes and Master Slave manipulators.



Transport and packaging

Transport and packaging of product to and from the shielded and contained facilities, including flask bogies and rails, transport containers and posting systems.



These services and products, are principally designed and supplied at 2 locations within Europe.



Aquila Nuclear Engineering,
Aquila House, Unit 17,
Hazeley Enterprise Park,
Hazeley Road, Twyford,
Hampshire, England,
SO21 1QA
United Kingdom

www.aquilaeurope.eu

DAVE BARKER:

E: DBarker@aquilaeurope.eu
DD: 01962 717007
M: 07545 470727

DREW CORBETT:

E: DCorbett@aquilaeurope.eu
DD: 01962 718387
M: 07852 969150

Röhr + Stolberg GmbH
Bruchfeld 52 - 47809 Krefeld-Linn
Geschäftsführer: Dr. Horst R. Koch -
Amtsgericht Krefeld,
HRB 1734

www.roehr-stolberg.de

DIEMO SCHALLEHN

E: Diemo.Schallehn@roehr-stolberg.de
DD: +49 (0) 2151 - 5892 - 947
F: +49 (0) 2151 - 500 270
M: +49 (0) 171 - 430 8221